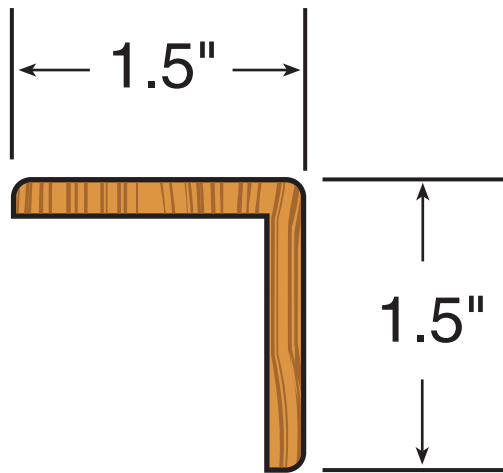


# OUTSIDE CORNER

SYMMETRICAL



Custom sizes available upon request

PART #

209071

AVAILABLE WIDTHS: 1-1/2"

AVAILABLE LENGTHS: 2' to 8'

**SICKLER**  
**INDUSTRIES**

46 Mohawk Street • Mohawk, Michigan 49950

(906) 337-5496 **Tel**

(906) 337-5310 **Fax**

[sicklerindustries.com](http://sicklerindustries.com)

© 2018 Sickler Industries, Inc. All rights reserved.